

## GA7 Tool Key Actuated Cam Lock

### Features

- Attractive locks for low-cost security, using housings and fittings interchangeable with tool key operated models
- Two styles are available, with either 8 mm square or triangular plug, with keys to match
- Both are suitable for exterior use and can be water sealed to IP55 if required
- 90° rotation

### Material

- Steel, right chromium plated or black powder coated

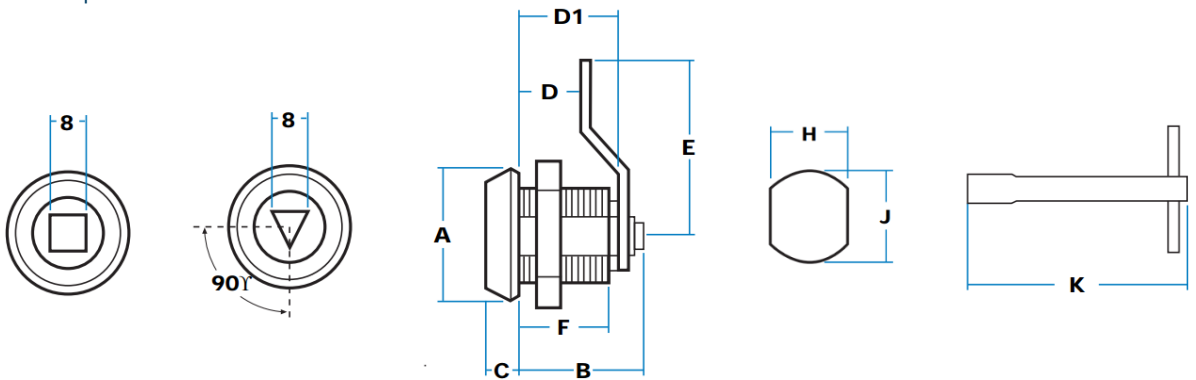
### Notes

- Steel triangle (**G00129**) and square (**G00629**) keys sold separately
- Cam pawl can be fitted at 45° intervals



**GA7-G00113**  
(triangle lock)

**GA7-G00613**  
(square lock)



Part No.	Type	Finish	A	B	C	D	D1	E	F	H	J	K
<b>GA7-G00112</b>	Triangle	Black	26	27	6	12	19	37	15	17.5	20	62
<b>GA7-G00113</b>		Chrome										
<b>GA7-G00612</b>	Square	Black										
<b>GA7-G00613</b>		Chrome										

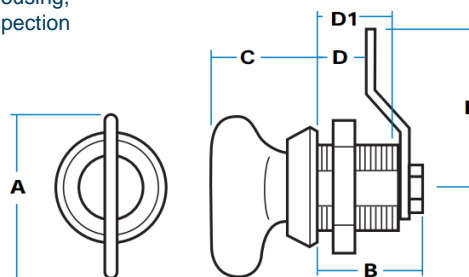
## GA7 'Fixed Key' Cam Lock

### Features

- A useful 'quarter-turn' fastener with a die cast turn-key permanently retained in the housing, making it useful for interior cabinets, inspection panels, etc.

### Material

- Black key within chrome housing



**GA7-G00123**

Part No.	A	B	C	D	D1	E
<b>GA7-G00123</b>	32	20	25	6	13	37